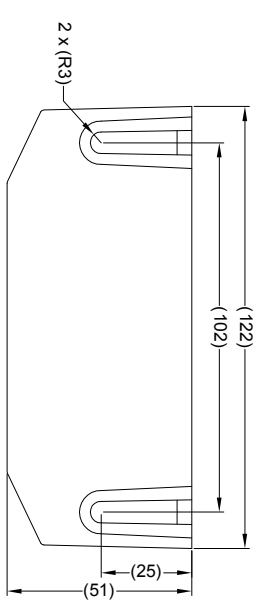
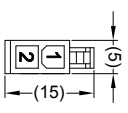


| | | | |
|----------------|---------------------------------------------------------------------------------------|------------------|----------------|
| Revision Notes | | | |
| R1 - | NOTES UPDATED TO INDICATE CORRECT LABEL DETAILS. STANDARDS UPDATED AS PER ECR CR-A253 | | |
| APAT-AHEDDLE | Drawn/BATES | Checked/MIBUTLER | Approved/GPUTH |
| | | | Date: 06/02/14 |

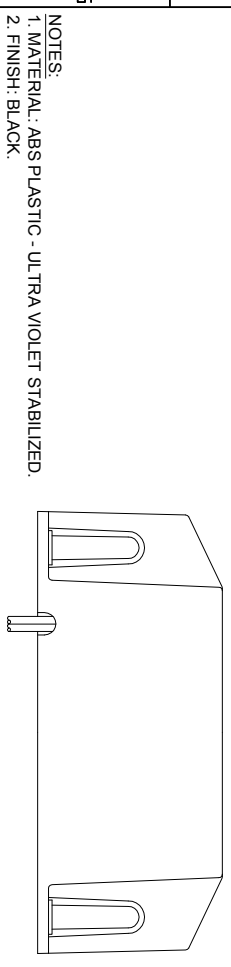
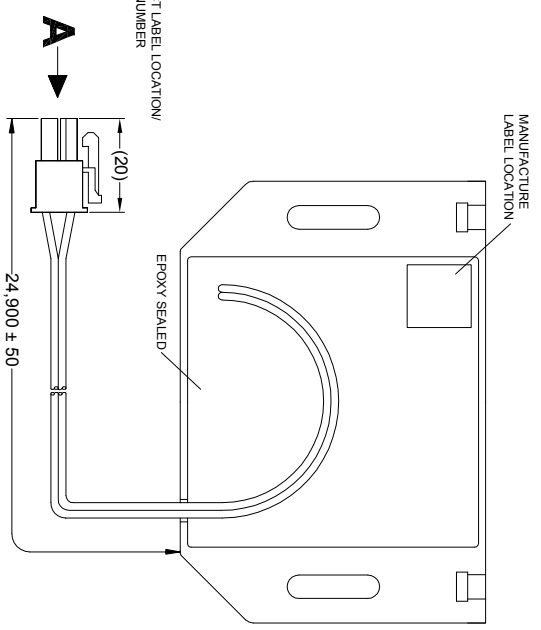
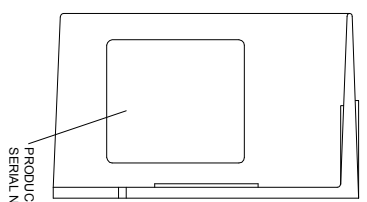
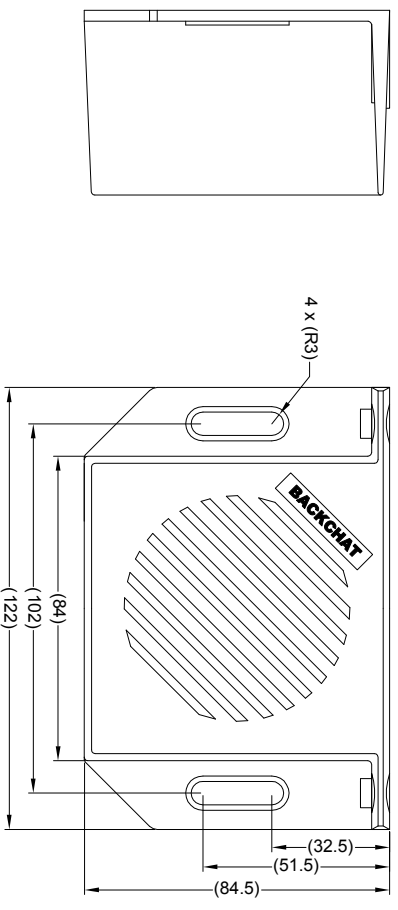


VIEW A



MATING FACE

| PN# | WIRE COLOR | DESCRIPTION |
|-----|-------------|----------------|
| 1 | WHITE | SPEAKER SIGNAL |
| 2 | BLACK/TRACE | SPEAKER SIGNAL |



NOTES:

1. MATERIAL: ABS PLASTIC - ULTRA VIOLET STABILIZED.
2. FINISH: BLACK.
3. FOR PRODUCT LABEL REFER TO LATEST REVISION OF DRAWING BE-002749-XX-13.
4. FOR GIFTBOX LABEL REFER TO LATEST REVISION OF DRAWING BE-002325-XX-13.
5. FOR MANUFACTURE LABEL REFER TO LATEST REVISION OF DRAWING BE-001990-XX-12.
6. 2 X M6 X 25 BOLTS, 2 X M6 FLAT WASHER & 2 X M6 NUTS ARE SUPPLIED IN A PRESS SEAL BAG IN THE BOX.
7. INTERCOM CABLE LENGTH IS MEASURED FROM CABLE ENTRY POINT ON HOUSING.

SPECIFICATION

RATED VOLTAGE: 12 AND 24 VOLTS DIRECT CURRENT (WORKING VOLTAGE RANGE 10THRU 30 VOLTS)
 RATED CURRENT: 1.0 AMPERES OR LESS
 SOUND PRESSURE: MAX 90+4 DECIBELS AT TEST VOLTAGE OF 14 AND 28 VOLTS
 CABLE THICKNESS: INTERCOM CABLE 130.2MM IN FIGURE OF 8 CONSTRUCTION
 INTERCOM CABLE INSULATION MUST BE FULLY POTTED AT POINT OF CONNECTION TO PCB.
 OPERATION
 SLAVE IS ALWAYS TRANSMITTING TO THE MASTER INTERCOM UNIT.

PROPRIETARY NOTICE

THIS DESIGN AND TECHNICAL INFORMATION APPEARING ON THIS DRAWING IS THE PROPERTY OF BRIGADE ELECTRONICS, AND IS DISCLOSED IN CONFIDENCE. IT IS NOT TO BE COPIED, REPRODUCED, REVEALED TO OR EXPLOITED BY OTHERS, EITHER IN WHOLE OR IN PART WITHOUT THE EXPRESS WRITTEN CONSENT OF BRIGADE ELECTRONICS.



| | | | | | |
|--------------------|----------------------------------------|-------------|-----------------------|-----------------------|---------------------------|
| <p>Third Angle</p> | Assembly PI Approval AHEDDLE | | Approved by DKERAL | Checked by JNEWMAN | Drawn by MIBUTLER |
| | Angle of Projection | Units mm | Scale N/A | Released 13/10/11 | Assembly Ref A1104_ONE |
| Status RELEASED | BC-VI SLAVE | | | | |
| Part No #4911 | BE-001480-01-11 | | | | |